

# Data Sheet

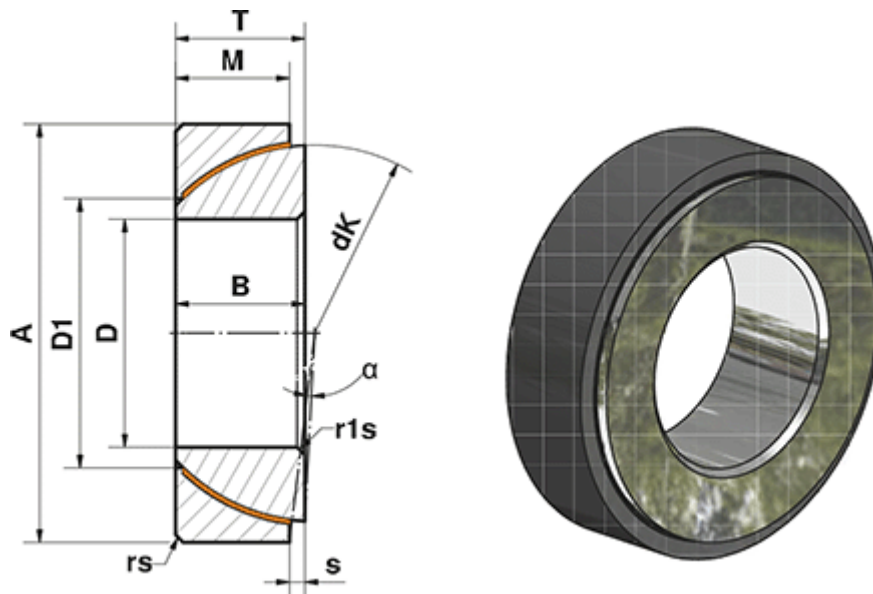


Article number: 03449200

Description: Fluro Heavy Duty Spherical Plain Bearing GE 200 SWE  
Hole Ø200

Note: 200

## Measures



A	= 310	rs, r1s min	= 3
a (degrees)	= 1.5	S	= 26
B	= 70	Static load C0 (kN)	= 7725
D	= 200	T	= 70
D1	= 229.4	Weight (g)	= 23800
dK	= 290		
Dynamic load C (kN)	= 4635		
M	= 66		